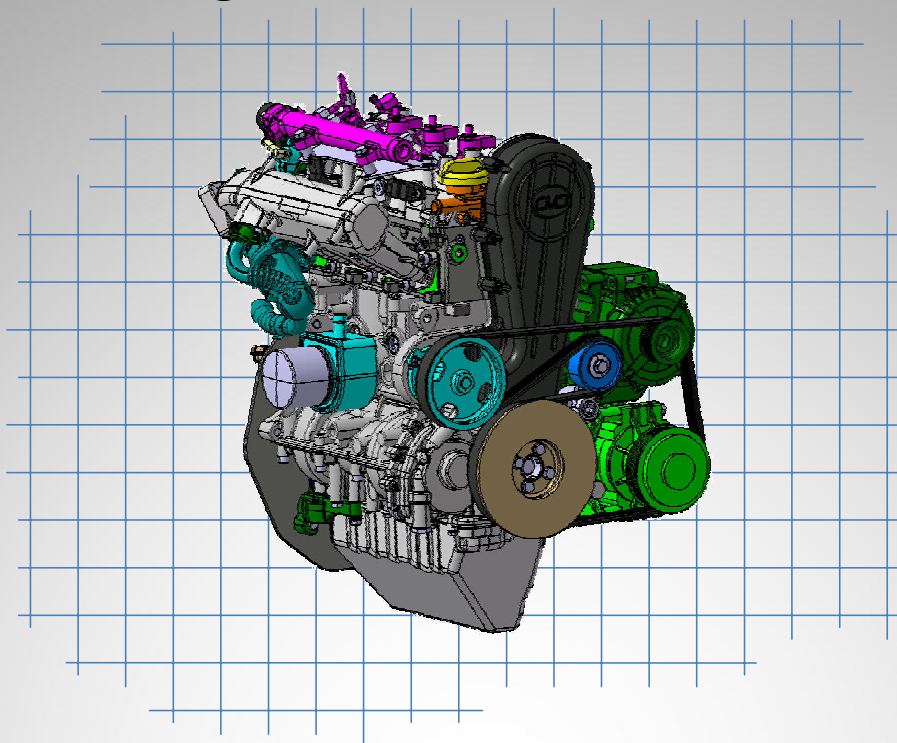


# CRDI 3<sup>®</sup>

## Automotive Engine



Automotive Diesel Engine



### Configuration

**Max. Power**

**Maximum torque**

**Displacement**

**Bore x stroke**

**Cylinders**

**Combustion system**

**Aspiration**

**Starting system**

**Alternator**

**Dry weight**

4 stroke – diesel cycle

4 valves per cylinder

52 kW/70 Hp at 4400 rpm

148 Nm at 2300 rpm

1050 c.c.

76 x 77 mm

3, in line

Direct injection common rail

Turbocharged

Electric starting 12 V

14 V – 100A

100 kg

### Configurazione

**Potenza Max**

**Coppia Max**

**Cilindrata**

**Alesaggio e Corsa**

**Cilindri**

**Sistema di Combustione**

**Aspirazione**

**Sistema di partenza**

**Alternatore**

**Peso a secco**

motore ciclo diesel 4 tempi

4 valvole per cilindro

52 kW/70 Hp @ 4400 rpm

148 Nm @ 2300 rpm

1050 c.c.

76 x 77 mm

3, in linea

common rail

turbocompressore

Electric start 12 V

14 V – 100A

100 kg

