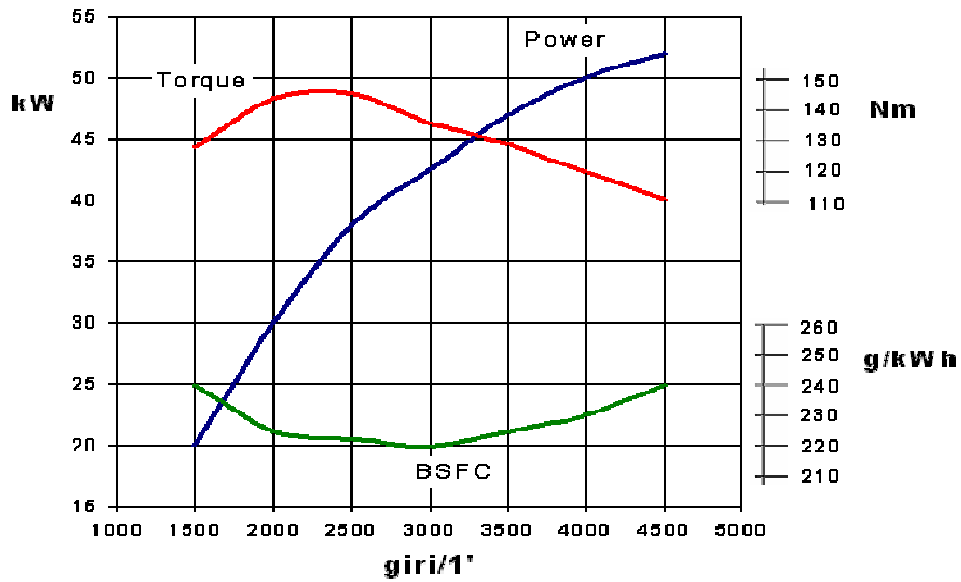


CRDI 3cyl

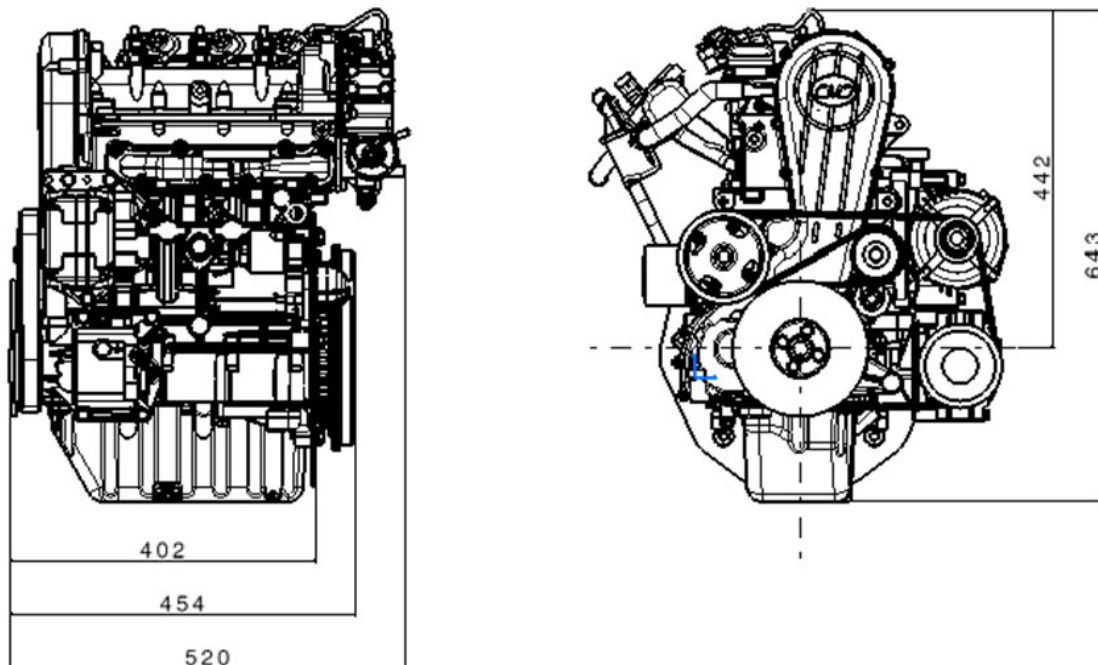
Configuration	4-stroke cycle diesel engine system, 4 valves per cylinder
Max. Power	52 kW/70 hp at 4400 rpm
Maximum torque	148 Nm at 2300 rpm
Displacement	1050 c.c.
Bore x stroke	76 x 77 mm
Cylinders	3, in-line
Combustion system	Direct injection common rail
Aspiration	Turbocharged
Starting system	Electric starting 12 V
Alternator	14 V – 100A alternator with built in regulator
Dry weight	150 kg

Performance Curves

1050 cc Diesel 3 cyl 4 valves automotive version



Dimensions (mm.)



C.M.D. reserves the right to make modifications without prior notification.



www.cmdengine.com